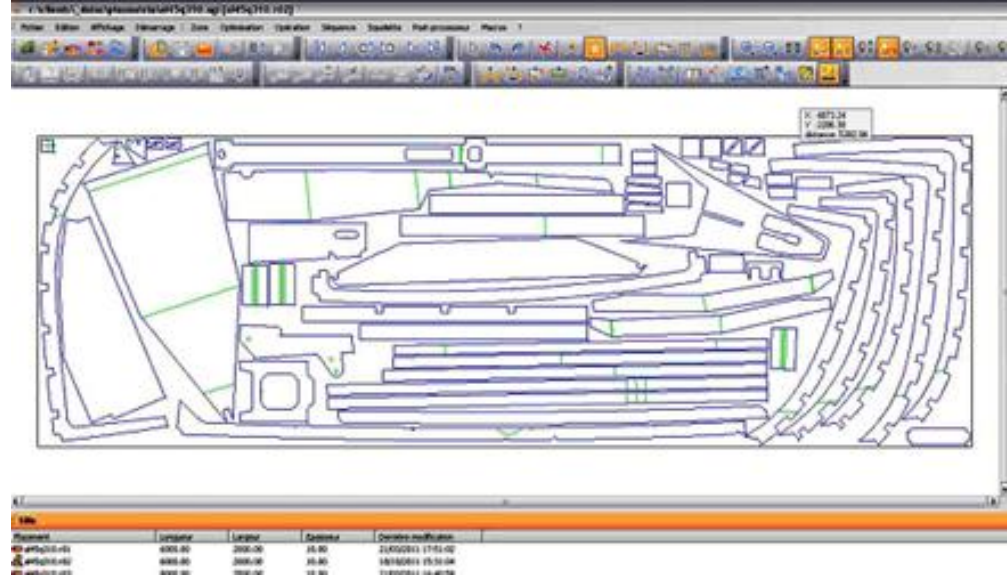


UNDERWATER HIGH DEFINITION PLASMA CUTTING



2 CUTTING POOLS:
 ➤ 3000x9000mm
 ➤ 3000x12000mm

OPTIMIZATION:
 Gain up to 15% of used metal !



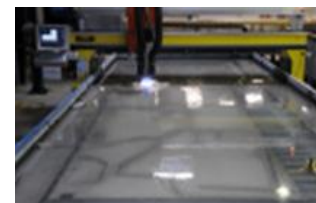
OPTIMIZATION



HANDLING



MARKING

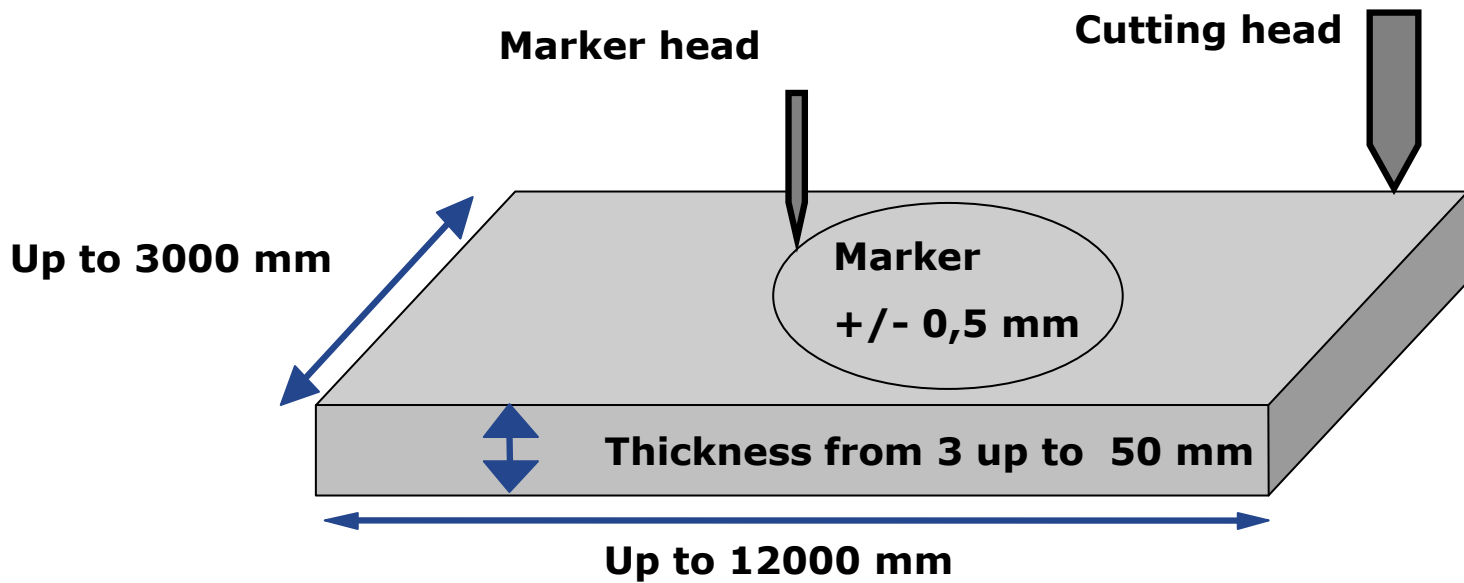


CUTTING



PACKAGING

PLASMA CUTTING CAPACITIES



THICKNESS

From 3 up to 12mm:
 From 12 up to 25mm:
 From 25 up to 50mm:

DIMENSION TOLERANCES

+/- 1mm
 +/- 1,5mm
 +/- 2mm

ANGLE CUT

0 - 1mm
 0 - 2mm
 0 - 4mm

The complete or partial cut of your ship, associated with the marking of the parts (water lines, sheet and profile assembling, mark lines...) can reduce by more than a half the time of manual marking and cutting. This in addition of the gain of metal use !!!